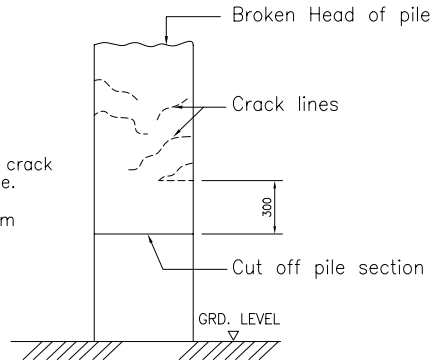


PROCEDURE OF 'CUT & JOINED PILE REPAIR METHOD'

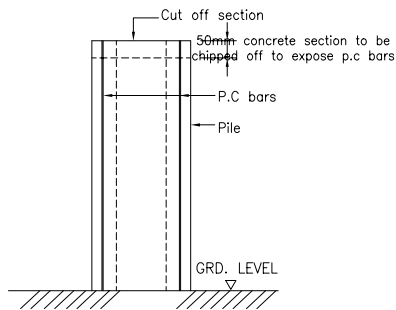
STEP 1

- a) Wet the pile concrete surface and inspected crack lines on external and internal surfaces of pile.
- b) Cut off concrete cross section of pile 300mm from the last crack line.



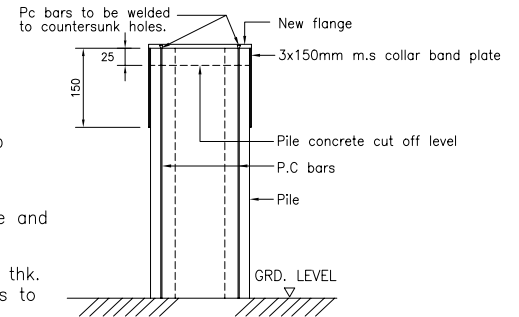
STEP 2

- a) Expose p.c bars of 50mm by chipping off concrete section.



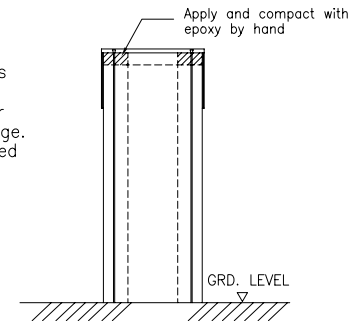
STEP 3

- a) Countersunk holes of flange are slotted through the protruded p.c bars.
- b) Bend the p.c bars into the countersunk holes. The squareness of the pile must be checked before the space of the countersunk hole is completely filled up by welding. Ensure the top surface of countersunk is levelled with the flange surface by grinding.
- c) The minimum clear spacing between the flange and cut off section of concrete shall be 25mm.
- d) Weld the mild steel collar band plate of 3mm thk. and 150mm height or of specified dimensions to the perimeter of flange.
- e) Leave to cool down before the next process.



STEP 4

- a) Epoxy shall be prepared in accordance to supplier's specification. Appropriate quantity of epoxy shall be weighed and mixed properly. Allow 10 minutes after mixing of the epoxy before applying under the flange. The space under the flange shall be completely filled up and compacted with the epoxy by hand to the satisfaction of Engineer.



STEP 5

- a) The pile shall not be disturbed for 2 days before re-driving.

THIS DRAWING SHALL NOT BE REPRODUCED, COPIED, LOANED OR DISPOSED DIRECTLY OR INDIRECTLY; NOR USED ANY PURPOSE OTHER THAN THAT FOR WHICH IT IS SPECIFICALLY FURNISHED WITHOUT PRIOR WRITTEN CONSENT OF INDUSTRIAL CONCRETE PRODUCTS BERHAD.

PROJECT TITLE :

CUT & JOINED PILE REPAIR METHOD.



INDUSTRIAL CONCRETE PRODUCTS BERHAD

2ND FLR, WISMA IJM, JLN YONG SHOOK LIN,
P.O BOX 191,
46720 PETALING JAYA,
SELANGOR DARUL EHSAN, MALAYSIA.
TEL : 603-79558888 (13 LINES)
FAX : 603-79581111

CHECKED BY :

SCALE

N.T.S

DATE

18/10/2005

REVISION

APPROVED BY :

DRAWN BY

MNO4

FILENAME

CUT&JOIN

DWG. NO.

ICP/PJO/CJ-04/STD