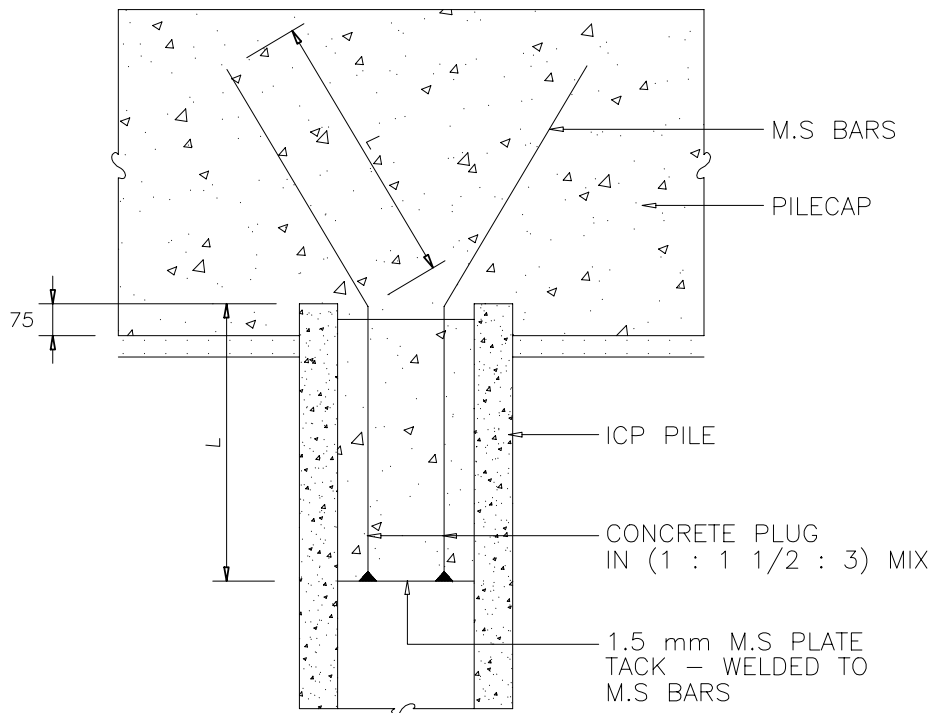


BONDING ICP PILES INTO PILE CAP

AS THE PC BARS ARE BONDED WITH CONCRETE, ICP PILES MAY BE CUT OFF AT ANY POINT. THE PILES NEED NOT TO BE STRIPPED DOWN TO EXPOSE THE BARS, AND CAN BE BONDED TO THE PILE CAP AS SHOWN IN THE FOLLOWING SKETCH. IF THE PILES ARE NOT SUBJECTED TO TENSILE LOADS, THE RECOMMENDED M.S BARS ARE CONSIDERED ADEQUATE.



DIA. OF PILE (mm)	M.S BARS		
	QUANTITY (mm)	DIAMETER (mm)	L (mm)
ø250	4	12	500
ø300	4	12	500
ø350	5	12	550
ø400	5	12	700
ø450	5	15	800
ø500	6	15	900
ø600	8	15	1000
ø700	8	18	1200
ø800	8	20	1400
ø900	10	25	1500
ø1000	12	25	1500

THIS DRAWING SHALL NOT BE REPRODUCED, COPIED, LOANED OR DISPOSED DIRECTLY OR INDIRECTLY, NOR USED ANY PURPOSE OTHER THAN THAT FOR WHICH IT IS SPECIFICALLY FURNISHED WITHOUT PRIOR WRITTEN CONSENT OF INDUSTRIAL CONCRETE PRODUCTS BERHAD.

PROJECT TITLE :

BONDING ICP PILES INTO PILE CAP



INDUSTRIAL CONCRETE PRODUCTS BERHAD

2ND FLR, WISMA IJM, JLN YONG SHOOK LIN,
P.O BOX 191,
46720 PETALING JAYA,
SELANGOR DARUL EHSAN, MALAYSIA.
TEL : 603-79558888 (13 LINES)
FAX : 603-79581111

CHECKED BY :

SCALE

N.T.S

DATE

27/03/2004

REVISION

APPROVED BY :

DRAWN BY

MN03

FILENAME

BOND04-001

DWG. NO.

ICP/PJO/BOND-04/001